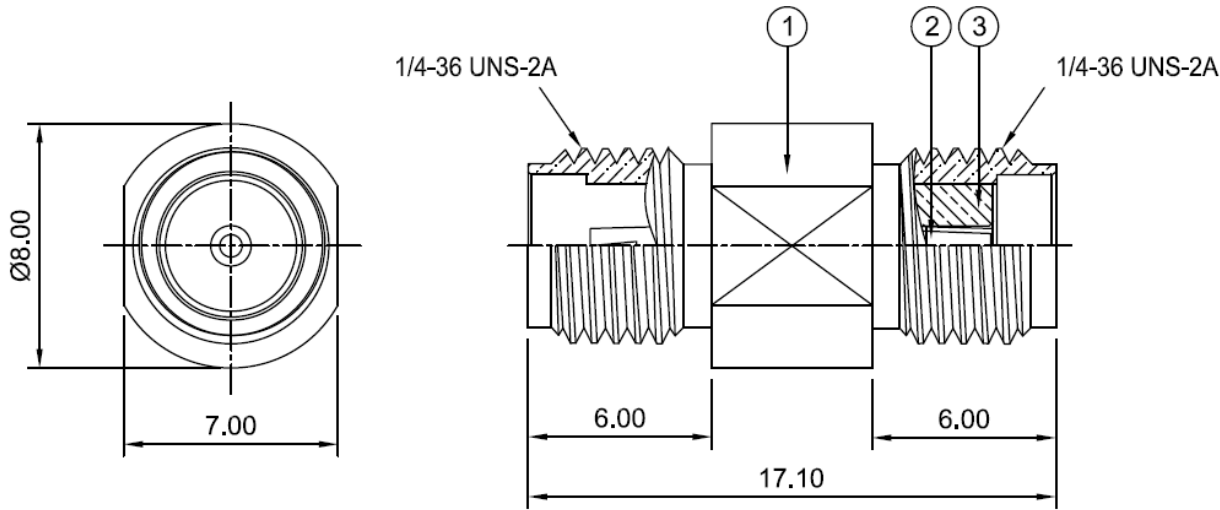
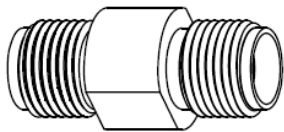


RoHS  
COMPLIANT



ELECTRICAL PERFORMANCE:

IMPEDANCE: 50 OHMS  
 FREQUENCY: DC-6GHz  
 WORKING VOLTAGE: 335Vrms MAX.  
 DIELECTRIC WITHSTANDING VOLTAGE: 1000Vrms MAX.  
 INSULATOR RESISTANCE: 5000 MEGOHMS MIN.



SCALE : 2 : 1

| NO. | DESCRIPTION | QTY | MATERIAL         | FINISH          |
|-----|-------------|-----|------------------|-----------------|
| 3   | INSULATOR   | 1   | PTFE             | NONE            |
| 2   | CONTACT     | 1   | BERYLLIUM COPPER | GOLD PLATED 5μ" |
| 1   | BODY        | 1   | BRASS            | NICKEL PLATED   |

GENERAL TOLERANCES  
 DIM: .X±0.25(0.01) .XX±0.12(0.005)  
 ANGULAR: ±5°

MATERIAL : SEE TABLE  
 FINISH : SEE TABLE

DIMENSION CLASSIFICATION  
 ■ : CRITICAL    ☒ : MAJOR



DRAWN BY: David    CHK'D BY: Eric  
 APP'D BY: James    SCALE: 4 : 1

TITLE: SMA(F) S/T Jack To SMA(F) S/T Jack Adaptor(Up to 6GHz)  
 DWG.NO.: 05617935  
 FILE. NO.: F:\Drawing\Adaptor

REVISE ONLY ON CAD SYSTEM

SHEET 1 OF 1    UNIT: mm

REV  
1

DO NOT SCALE DRAWING