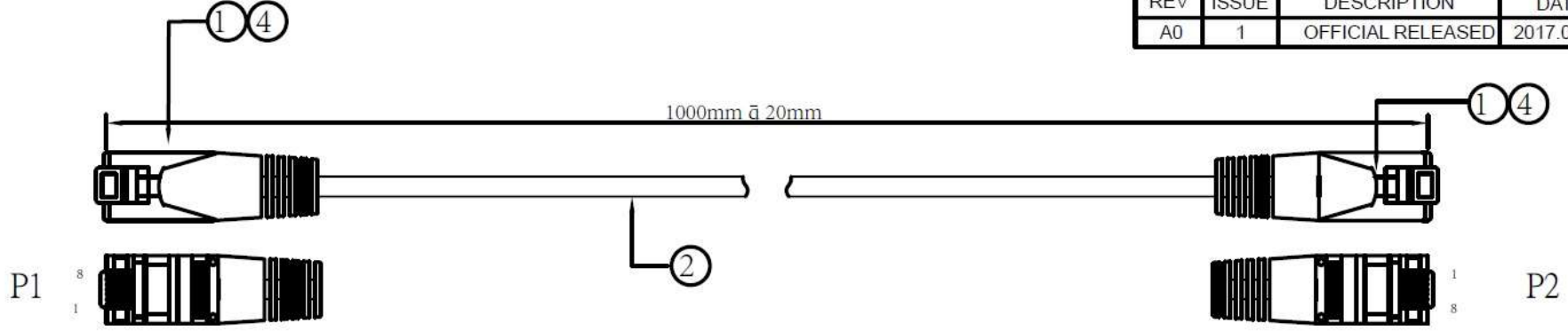


REV	ISSUE	DESCRIPTION	DATE
A0	1	OFFICIAL RELEASED	2017.08.28



P1	Core Wire	P2
1	Orange - white	1
2	Orange	2
3	Green - white	3
4	Blue	4
5	Blue - white	5
6	Green	6
7	Brown - white	7
8	Brown	8

Wire structure diagram:

- Wire OD: 5.5 ± 0.28 AWG/4 P
- Core Wire PP Material 28# 7/0.12 (Bare copper):  
 (Orange - white、 Orange ) Twisted Pair  
 (Green - white、 Green ) Twisted Pair  
 (Blue - white、 Blue ) Twisted Pair  
 (Brown - white、 Brown ) Twisted Pair
- Wire exterior: Black PVC 65P (H-751)
- Wire body print No:  
 UTP CAT5E 4PR/28AWG UERIFIED  
 TO EIA/TIA 568B.2 ISO/IEC 11801  
 EN501 095M

**NOTE:**

- 成品须100%通过电性测试，不能有短路，断路，瞬间通路等不良现象。
- 端子不可有氧化，刮花，压伤等不良现象。
- 此款产品网线裁切为 1040 mm

制图	黄良贵	TITLE:	RJ458P8C-RJ458P8C L=1000mm	DWG NO:	
日期	2017.08.28	P/N:	YMC-RJ45 8P8C-1000	CUSTOMER:	
确认		TOLERANCE:	WHOLE NO ANGLE	EDITION:	1
日期			±20MM ±20MM		
核准		UNIT:	MM	SCAL:	NONE
日期					
			SH 1 OF 2		A4

ITEM	DESCRIPTION	Q'TY	UNIT	ITEM	DESCRIPTION	Q'TY	UNIT
②	OD: 5.5 28/4P +PVC		MM				
①	RJ45 8P8C水晶头 五类	2	PCS	④	成型用45P PVC		