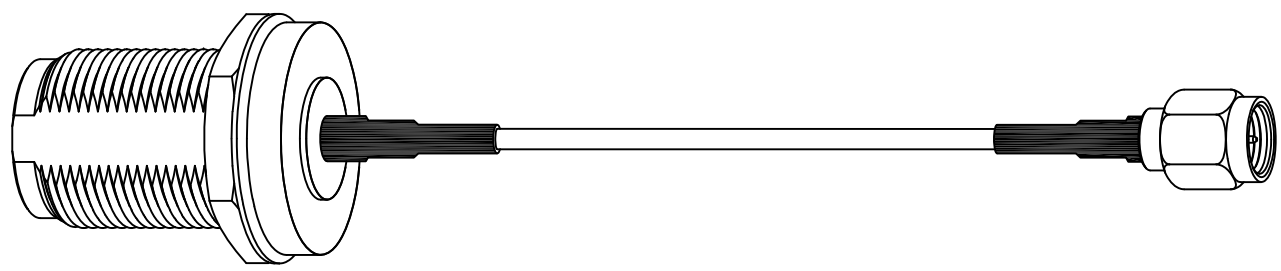
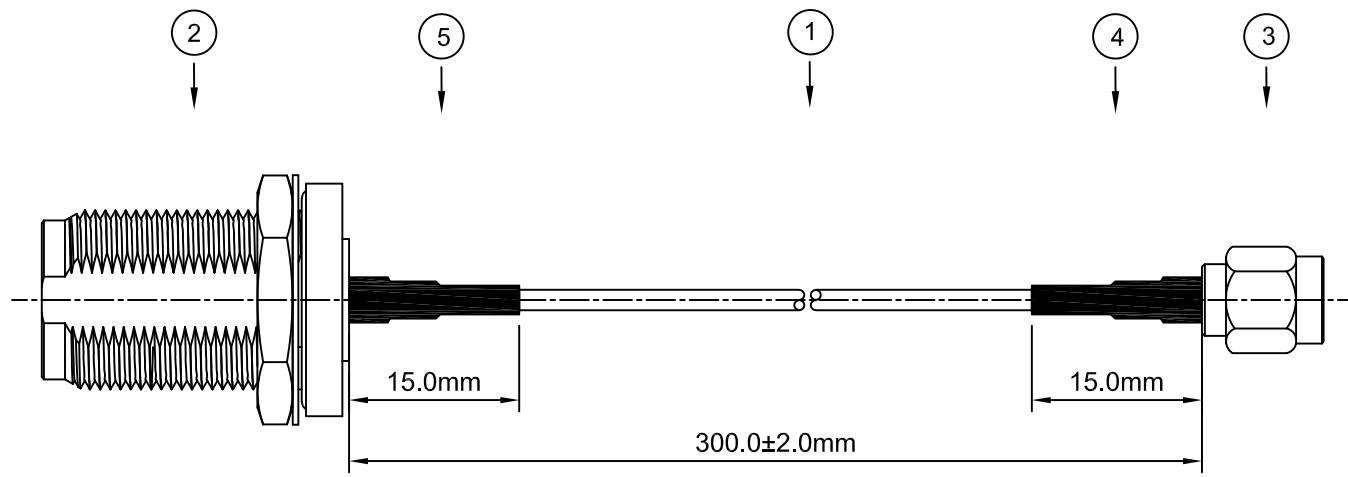


RoHS  
COMPLIANT



△	5	ADHESIVE HEAT SHRINK TUBE	1	Ø3/16" L=15mm	52012400
	4	HEAT SHRINK TUBE	1	Ø3.5mm L=15mm	52012609
△	3	CONNECTOR	1	SMA(M) S/T Plug	05010109
	2	CONNECTOR	1	N(F) S/T Bulkhead Jack With O-Ring	05073509
	1	CABLE(BROWN)	1	RG-178	37010309
	NO.	DESCRIPTION	QT'Y	MATERIAL	P/N

DO NOT SCALE DRAWING					GENERAL TOLERANCES		MATERIAL : SEE TABLE		TITLE: N(F) S/T Bulkhead Jack With O-Ring / RG-178 / SMA(M) S/T Plug , L=300mm	
					DIM: .X±0.25(0.01) .XX±0.12(0.005)		FINISH : SEE TABLE			
					ANGULAR: ±5°					
	△	Add BOM5	091127	Eric	10.11.27	DIMENSION CLASSIFICATION		DRAWN BY: David	CHK'D BY: Eric	
	△	Revise P/N from 05010209 to 05010109	091125	Eric	10.11.25	■: CRITICAL    ☒: MAJOR		APP'D BY: James	SCALE : 1.5 : 1	
LTR	REVISION RECORD	ECN	DR/CHK	DATE	REVISE ONLY ON CAD SYSTEM		SHEET 1 OF 1	UNIT : mm	FILE. NO.: F:\Drawing\20201123	REV 3