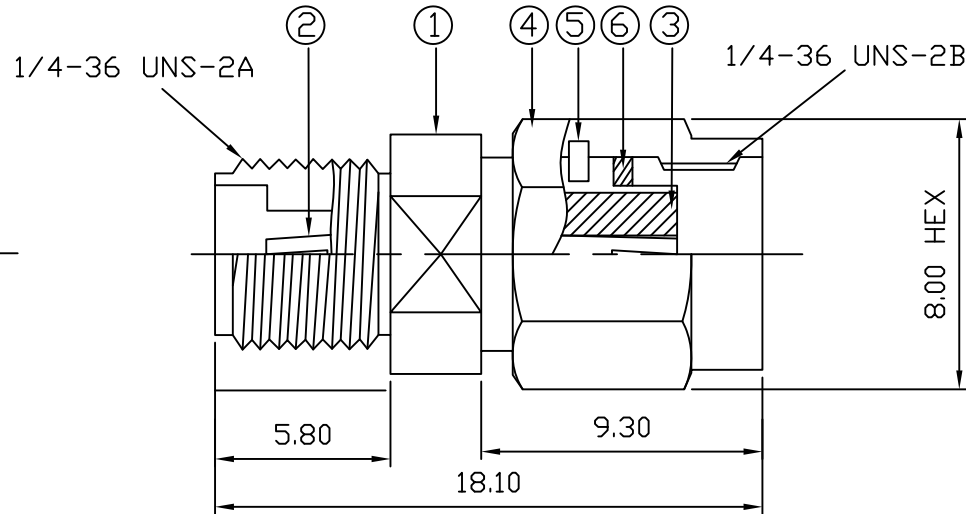
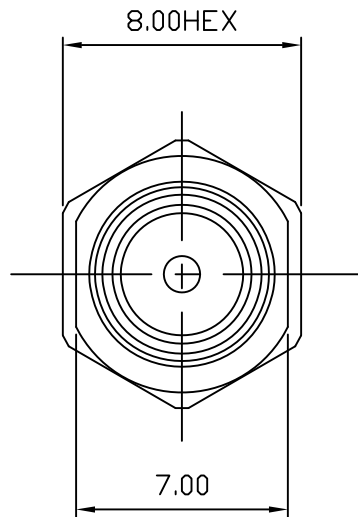
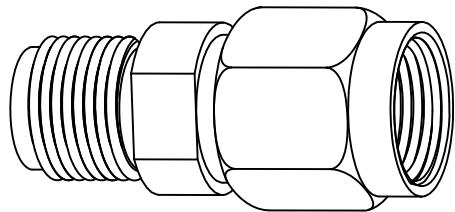


RoHS
COMPLIANT



ELECTRICAL PERFORMANCE:

IMPEDANCE:50 ohms
 FREQUENCY:DC-10 GHz
 WORKING VOLTAGE:335 Vrms MAX.
 DIELECTRIC WITHSTANDING VOLTAGE:1000 Vrms MIN.
 INSULATOR RESISTANCE:5000 MEGOHMS MIN.
 VSWR:1.1 MAX



SCALE : 1.5 : 1

NO.	DESCRIPTION	QT'Y	MATERIAL	FINISH
6	O-RING	1	SILICON RUBBER	NONE
5	C-RING	1	BERYLLIUM COPPER	NONE
4	SHELL	1	BRASS	GOLD PLATED
3	INSULATOR	1	TEFLON	NONE
2	CONTACT	1	BERYLLIUM COPPER	GOLD PLATED
1	BODY	1	BRASS	GOLD PLATED

GENERAL TOLERANCES
 DIM: .X±0.25(0.01) .XX±0.12(0.005)
 ANGULAR: ±5°

DIMENSION CLASSIFICATION
 ■: CRITICAL ☒: MAJOR



MATERIAL : SEE TABLE

FINISH : SEE TABLE

DRAWN BY: David

CHK'D BY: Vanessa

APP'D BY: James

SCALE : 4 : 1

TITLE: SMA(F) S/T Jack To SMA(M) S/T R/P
 Plug Adaptor

DWG.NO.: 05231835

REV

FILE. NO.: D:/co/2016/01/ 5231835

1

LTR REVISION RECORD ECN DR/CHK DATE

REVISE ONLY ON CAD SYSTEM

SHEET 1 OF 1

UNIT : mm

DO NOT SCALE DRAWING