

1. General description

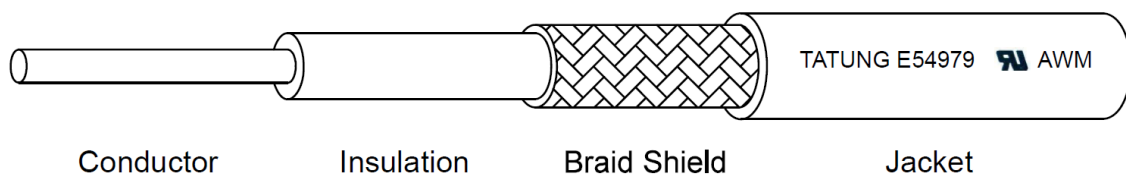
P/N
M2M20190111-01
RG174 - Antenne kabel montage - SMA(M) / SMA(F) Chassi med O-Ring, L=500mm

2. Specification

	Item	Specification
Conductor	Material	Copper Strand
	Structure	AWG 26 (7/0.16mm)
	Dimeter	Approx 0.48mm
Diameter	Material	XLPE
	Minimum Thickness	0.38mm
	Nominal Thickness	Approx 0.485mm
	Diameter	2.70 ± 0.10mm
Braid Shield	Material	Tinned Copper Wire
	Structure	16 / 5 / 0.10mm
Jacket	Material	PVC
	Minimum Thickness	0.22mm
	Nominal Thickness	Approx 0.375 mm
	Diameter	2.70 ± 0.10mm

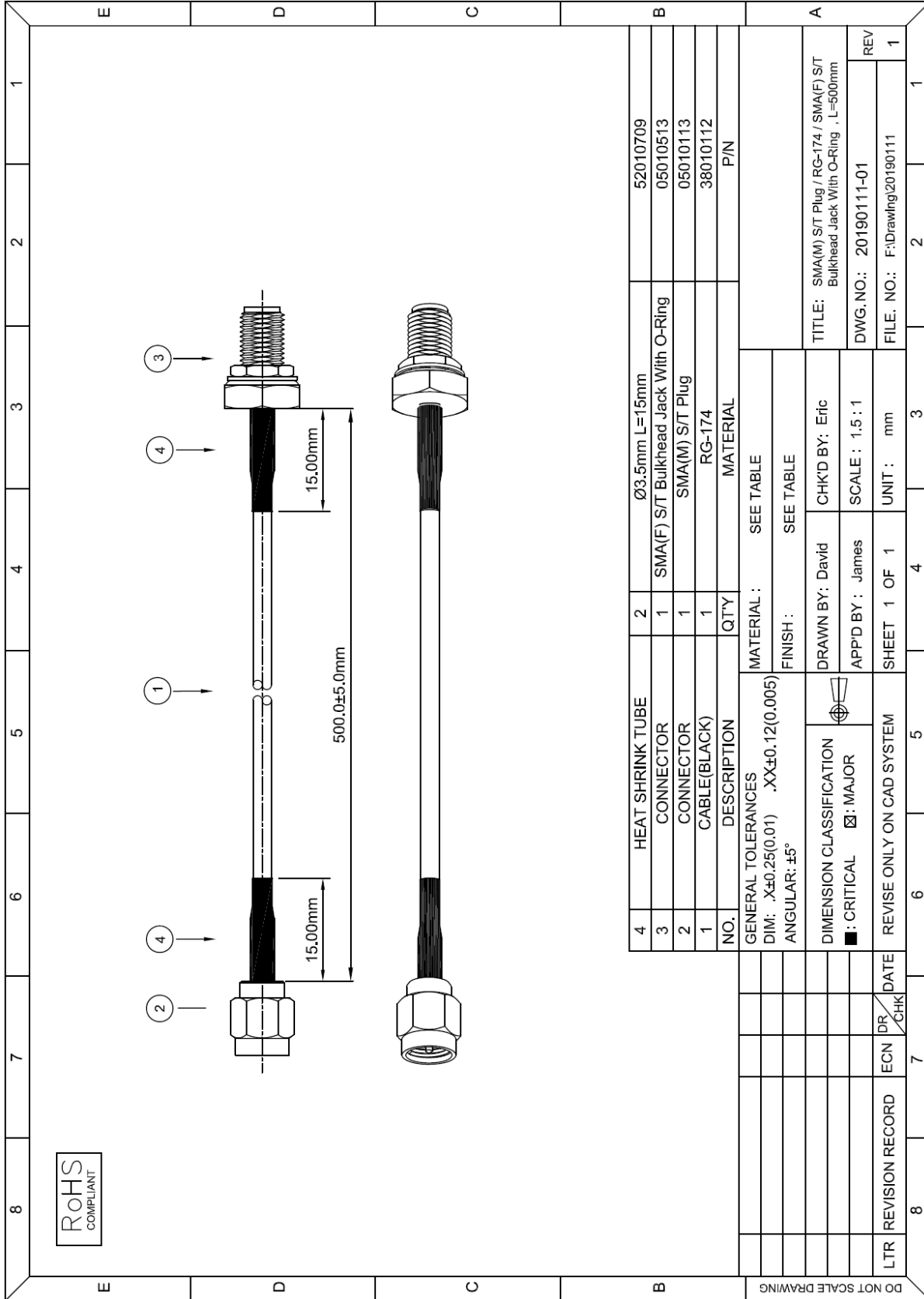


Structure Figure:



3. Characteristic

Temperature Rating	80°C
Voltage Rating	30 V
Operating Temp Rang	-20°C ~ +80°C
Insulation Resistance	-20°C DC500V - 1000mΩ -Km (minimum)
Conductor Resistance	-20°C 142.6 Ω /Km (maximun)
Mutual Capacitance	1KHz between conductor and shielding 100± 8pf/m
Impedance: 10 MHz ~ 3GHz	10MHz ~ 3GHz 50± 5 Ω
Standard Attenuation	100 MHz 359 dB/Km 400 MHz 655 dB/Km 1 GHz 1175 dB/Km 3 GHz 2103 dB/Km



RoHS
COMPLIANT

A		B		C		D		E	
4	HEAT SHRINK TUBE	2	Ø3.5mm L=15mm	52010709					
3	CONNECTOR	1	SMA(F) S/T Bulkhead Jack With O-Ring	05010513					
2	CONNECTOR	1	SMA(M) S/T Plug	05010113					
1	CABLE(BLACK)	1	RG-174	38010112					
NO.	DESCRIPTION	QTY	MATERIAL	P/N					
GENERAL TOLERANCES		MATERIAL :		SEE TABLE					
DIM: .X±0.25(0.01) .XX±0.12(0.005)		FINISH :		SEE TABLE					
ANGULAR: ±5°		DRAWN BY: David		CHK'D BY: Eric		TITLE: SMA(M) S/T Plug / RG-174 / SMA(F) S/T Bulkhead Jack With O-Ring , L=500mm		REV	
DIMENSION CLASSIFICATION		APP'D BY: James		SCALE: 1.5:1		DWG. NO.: 20190111-01		1	
■: CRITICAL ☒: MAJOR		SHEET 1 OF 1		UNIT: mm		FILE. NO.: F:\Drawing\20190111			
REVISE ONLY ON CAD SYSTEM		5		4		3		2	
DATE		7		6		5		4	
DR / CHK		7		6		5		4	
ECN		7		6		5		4	
REVISION RECORD		7		6		5		4	
LTR		7		6		5		4	
DO NOT SCALE DRAWING									

