

# SICOM3000A

## 8+2G Port Layer 2 Managed DIN-Rail Switches



### » Overview

SICOM3000A is one of Kyland green low power consumption industrial Ethernet switch series. It is equipped with 2 100Base-FX, 1000Base-X SFP ports and 8 10/100Base-T(X) RJ45 ports. SICOM3000A supports DT-Ring (recovery time<50ms), DRP (recovery time<20ms), STP/RSTP/MSTP, VLAN, multicast, QoS, SSH and many other Layer 2 software features, and support CLI, Telnet, Web management methods, Kyvision centralized management based on SNMPv1/v2c/v3. It is especially designed for harsh environments with wide operating temperature range, EMC level 3, IP40 protection class, strong vibration-resistant mounting clip for DIN-Rail installation, and can be deployed in Factory automation, transportation, oil & gas and many other industrial applications.

### » Key Features

2 100Base-FX, 1000Base-X SFP ports and 8 10/100Base-T(X) RJ45 ports

Supports DT-Ring, DRP and STP/RSTP/MSTP protocols

Supports DDM (SFP ports)

Supports one-key recovery

Provides Mini USB Console port

CE, FCC certificates

### » Product Specifications

**>Software functions**

**-Switching**

Supports VLAN, PVLAN

Supports GVRP

Supports port aggregation, LACP

Supports port flow control

Supports Rate limit based on flow (ACL Rate Limiter)

Supports Global broadcast storm suppression (QOS Storm Policing)

**-Redundancy**

Supports DT-Ring, DT-Ring+, DT-VLAN with the recovery time<50ms

Supports DRP/DHP with the recovery time<20ms

Supports STP/RSTP/MSTP

**-Multicast**

Supports IGMP Snooping

Supports GMRP

Supports static multicast

Supports IGMPv2/v3

**-Network Security**

Supports HTTPS/SSL

Supports SSH

Supports TACACS+

Supports IEEE802.1X

Supports RADIUS

Supports user grading

**-Service Quality**

Supports QoS, 802.1p(CoS), DSCP

Supports SP, WRR queue scheduling

Supports ACL

**-Management and Maintenance**

Supports Console, Telnet, WEB management methods

Supports SNMPv1/v2c/v3, Kyvision centralized management

Supports software upgrade by SFTP/HTTP

Supports Power alarm, IP/MAC conflict alarm, Memory/CPU usage alarm, Port alarm, Ring alarm, Port traffic alarm, CRC error and packet lose alarm, SFP port RX power alarm and TX power alarm

Supports DDM (SFP ports)

Support loop detection

Supports RMON

Supports port mirroring

Supports Syslog

Supports LLDP

Supports Link-check

### **-IP Management**

Supports DHCP server/snooping/client, DHCP Option 82

Supports ARP

### **-Clock Management**

Supports SNTP Client

### **>Technical Specification**

#### **-Technical Parameter**

Standard

IEEE 802.3i (10Base-T)

IEEE 802.3u (100Base-T and 100Base-FX)

IEEE 802.3z (1000Base-SX/LX)

IEEE 802.3ad (Link aggregation)

IEEE 802.3x (Flow Control)

IEEE 802.1p (Class of Service)

IEEE 802.1Q (VLAN)

IEEE 802.1d (STP)

IEEE 802.1w (RSTP)

IEEE 802.1s (MSTP)

IEEE 802.1x (Network Access Control)

IEEE 802.1ab (LLDP)

### **-Switch Properties**

Priority Queues 8

Number of VLANs 4K

VLAN ID 1 ~ 4094

Number of Multicast Groups 8K

MAC Table 8K

Packet Buffer 4Mbit

Packet Forwarding Rate 4.2Mpps

Switching Delay <5 $\mu$ s

Jumbo frame 9.6Kbytes

#### **-Interface**

Gigabit Port 100Base-FX, 1000Base-X, SFP slot

Fast Ethernet Port 100Base-FX, SM/MM, SC/ST/FC connector

10/100Base-T(X), RJ45 port

Console Port Mini USB

Alarm Contact 3-pin 5.08mm-spacing plug-in terminal block, 250VAC/220VDC Max, 2A Max

#### **-LED**

LEDs on Front Panel

Running LED: Run

Alarm LED: Alarm

Power LED: PWR1,PWR2

Ring LED: Ring

Interface LED: Link/ACT, Speed (RJ45 port); Link/ACT(Fiber port)

#### **-Button**

Reset: Reboot and restore default configuration

#### **-Power Requirement**

Power Input 24VDC(18-36VDC)

Power Terminal 5-pin 5.08mm-spacing plug-in terminal block

Power Consumption <9W

Overload Protection Support

Reverse

Protection Support

Redundancy Protection Support

**-Physical Characteristics**

Housing Metal

Cooling Natural convection, fanless

Protection Class IP40

Dimension 53.6mm×135mm×106.5mm(W×H×D)

Weight 0.84Kg

Mounting DIN-Rail or Panel Mounting

**-Environmental Limit**

Operating Temperature -40°C ~ +85°C

Storage Temperature -40°C ~ +85°C

Ambient Relative Humidity 5 ~ 95% (non-condensing)

**-Warranty**

MTBF 2749462h

Warranty 5 years

**-Certificates**

CE(EMC), FCC: Models with L3:24VDC.

**-Industrial Standard**

EMI

FCC CFR47 Part 15,EN55022/CISPR22,Class A

EMS

IEC61000-4-2(ESD) ±6kV(contact),±8kV(air)

IEC61000-4-3(RS) 10V/m(80MHz ~ 2GHz)

IEC61000-4-4(EFT) Power Port:±2kV;Data Port:±1kV

IEC61000-4-5(Surge) Power Port:±1kV/DM,±2kV/CM; Data Port:±1kV

IEC61000-4-6(CS) 10V(150kHz ~ 80MHz)

Rail Traffic: EN 50121-4

Machinery

IEC60068-2-6 (Vibration)

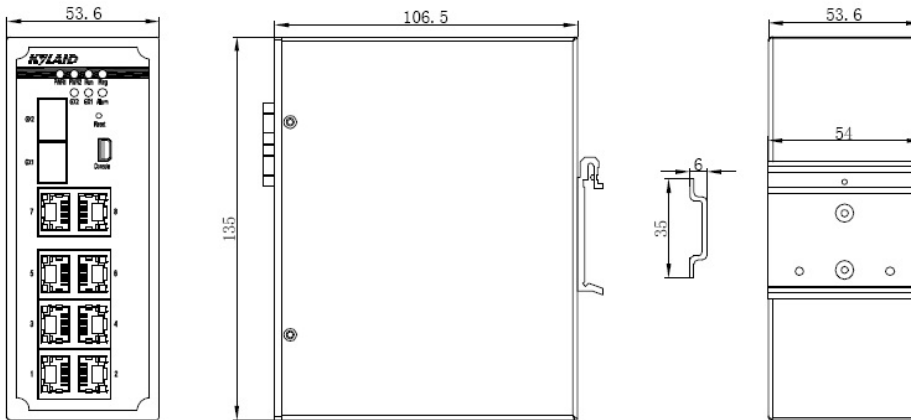
IEC60068-2-27 (Shock)

IEC60068-2-32 (Free Fall)

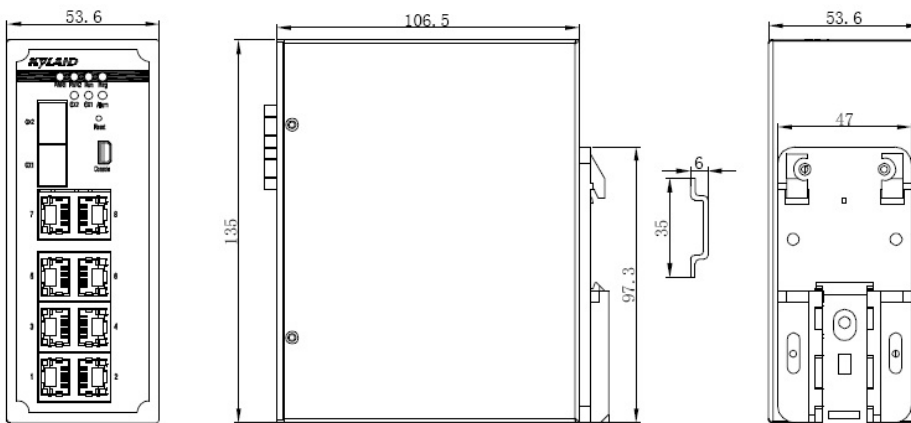
**» Mechanical Drawing**



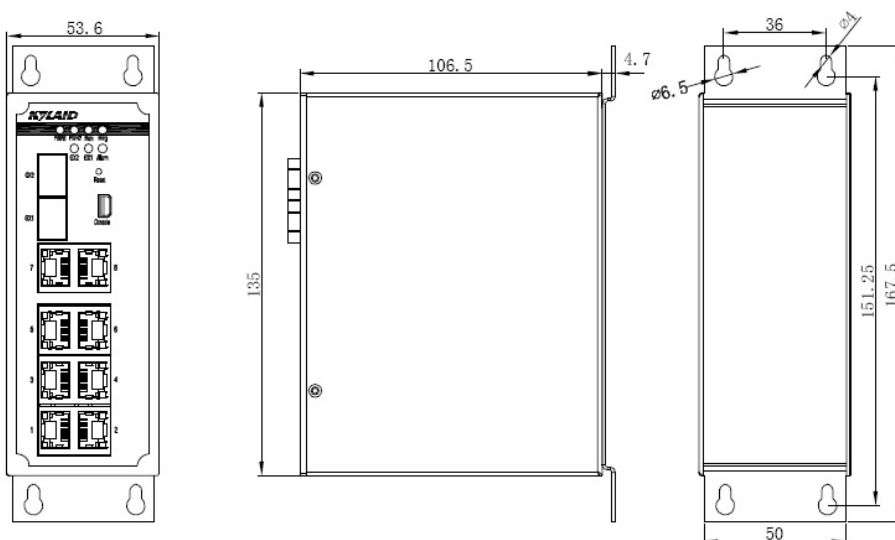
## DIN Rail Mounting (Default)



## DIN Rail Mounting



## Panel Mounting





## Ordering Information

### Ordering Information

|   |  |
|---|--|
| Product Models                            | SICOM3000A-Ports-Connector-PS1-PS2   |
| Code Definition                           | Ordering Code  |
| Ports                                     | <p>2GX8T=2×100Base-FX, 1000Base-X SFP ports; 8×10/100Base-T(X) RJ45 ports</p> <p>2S6T=2×100Base-FX, single mode fiber ports; 6×10/100Base-T(X) RJ45 ports</p> <p>2M6T=2×100Base-FX, multi mode fiber ports; 6×10/100Base-T(X) RJ45 ports</p> <p>2S4T=2×100Base-FX, single mode fiber ports; 4×10/100Base-T(X) RJ45 ports</p> <p>2M4T=2×100Base-FX, multi mode fiber ports; 4×10/100Base-T(X) RJ45 ports</p> <p>1S4T=1×100Base-FX, single mode fiber port; 4×10/100Base-T(X) RJ45 ports</p> <p>1M4T=1×100Base-FX, multi mode fiber port; 4×10/100Base-T(X) RJ45 ports</p> <p>8T=8×10/100Base-T(X) RJ45 ports</p> <p>6T=6×10/100Base-T(X) RJ45 ports</p> <p>SC05=SC connector, multi mode,1310nm, 5km</p> <p>ST05=ST connector, multi mode,1310nm, 5km</p> <p>FC05=FC connector, multi mode,1310nm, 5km</p> <p>SC40=SC connector, single mode,1310nm, 40km</p> <p>ST40=ST connector, single mode,1310nm, 40km</p> <p>FC40=FC connector, single mode,1310nm, 40km</p> <p>SC60=SC connector, single mode,1310nm, 60km</p> <p>SC80=SC connector, single mode,1550nm, 80km</p> <p>NA: No 100Base-FX fiber port</p> |
| Connector:<br>(for 100Base-FX fiber port) |  |
| PS1-PS2:<br>(Redundant Power Inputs)      | L3-L3=24VDC(18-36VDC), redundant power inputs  |

### Accessories

| Accessory model         | Description   |
|-------------------------|---|
| Gigabit SFP module      | See the selection table of industrial gigabit SFP module. |
| DT-BGAZ-02              | Panel for panel mounting                                  |
| DT-FCZ-RJ45-01          | Dustproof cover for RJ45 port                             |
| DT-XL- Mini USB -USB-2m | Mini USB to USB cable for Console management, 2m          |